

## ALUMINIUM SCAFFOLDING - DOUBLE WIDTH 3M TOWER HEIGHT

### Features:

- The Double width Mobile tower is ACE,s scaffold system which has various applications for both interior and exterior use.
- The maximum working height for interior and exterior work is 17 meter
- Built in integral ladder frame, braces welded not crimped. Heavy duty claws on braces with fast release clip-trigger mechanism.
- Safe working load is 270Kg per platform and the total weight including the tower is 850Kg.
- The frames are connected with rigid spigot straight for easy assembling and dismantling along with locking pins to prevent accidental removal of frames .
- Caster wheels 200mm has a foot operated dual brake system and can easily be locked and released.300mm adjustable leg with self cleaning thread.
- The towers are equipped with standard & trapdoor platform along with aluminum or wooden toe board.
- Frame Width available 1.2, 1.4, 1.5, 1.7 & 2.0 meter
- Frame Length available 1.5 , 2.0 & 2.5 meter.



### Description:

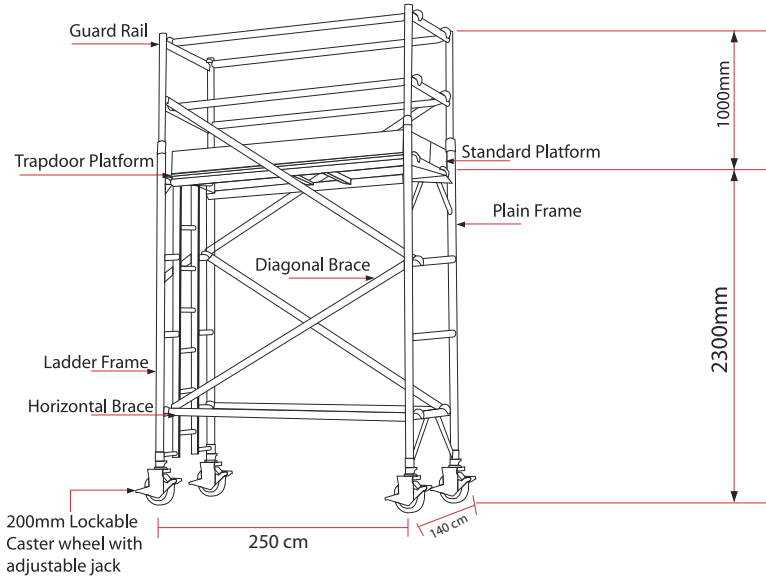
SN.	Description of goods	Qty	Weight (Kg)	CBM
	<b>ALUMINUM LADDER FRAME MOBILE SCAFFOLDING DOUBLE WIDTH 3mtr TOWER HEIGHT AS PER BRITISH STANDARD</b> W:1.40Mtr, L:2.50Mtr, Tower Ht:3.3Mtr, Platform Ht:2.3Mtr, Reach Ht:4.3Mtr	<b>1 Set</b>		
1.	Aluminum Double Width 4 Rung Ladder Frames 140W x 200cmH	1	10	0.28
2.	Aluminum Double Width 4 Rung Span Frames 140W x 200cmH	1	8.4	0.22
3.	Aluminum Double Width 2 Rung span Frames 140W x 100H	2	6.6	0.22
4.	Anti Slip Working Platform Trapdoor size 250x55 cm	1	17.2	0.22
5.	Anti Slip Working Platform plain standard type 250x55 cm	1	17	0.22
6.	Diagonal Braces 270cm long	4	7.2	0.032
7.	Horizontal Braces 250cm long	6	9	0.036
8.	Heavy duty Castor wheels with dual brakes ( 8")	4	21.2	0.04
9.	Adjustable jack 50cm long	4	6	0.04
10.	Wooden toe board	1	1.9	0.002
11.	Snap pin	4	0.04	
	<b>Total</b>	<b>29</b>	<b>104.54</b>	<b>1.31</b>

# ACE Aluminum Tower

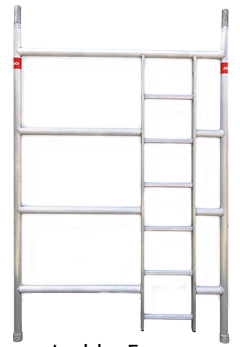
Highly Versatile with variable heights and ready to erect

## Double width with built in ladder

SWL = 270kg per platform / 850 kg per tower



Tower Ref.	DW- 250 x 140/3
Working Height	4.3 m
Tower Height	3.3 m
Platform Height	2.3 m
Width	1.40 m
Length	2.5 m



Ladder Frame



Span Frame



Platform Plain

Platform Door



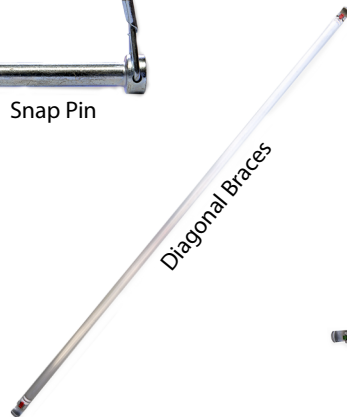
Adjustable Base Jack



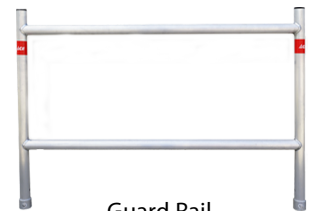
Wooden Toe Board



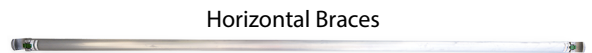
Snap Pin



Diagonal Braces



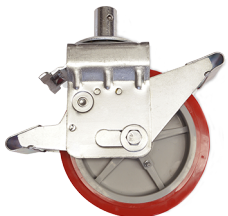
Guard Rail



Horizontal Braces



Stabilizer



8" Caster Wheel with Dual Brake