

ALUMINIUM SCAFFOLDING - SINGLE WIDTH 2M TOWER HEIGHT



Features

- ACE's Single Width Scaffold Tower offer an excellent solution with its 80 Cm wide frames for narrow spaces.
- The Maximum working height for interior and exterior work is 10mtr.
- Safe working load is 175Kg per platform and the total weight including the tower is 550Kg.
- The platform is secured with wind anchor.
- The frames are connected with rigid spigot straight for easy assembling and dismantling along with locking pins to prevent accidental removal of frames.
- Frame Width Available 0.60, 0.80, 0.90 & 1.00 meter
- Main Frame Heights available 1.5, 2.0 meter.
- Frame Length available 1.5, 1.8, 2.00 & 2.5 meter.



Our access equipment products are manufactured to BS EN.1004 Standard.

Description:

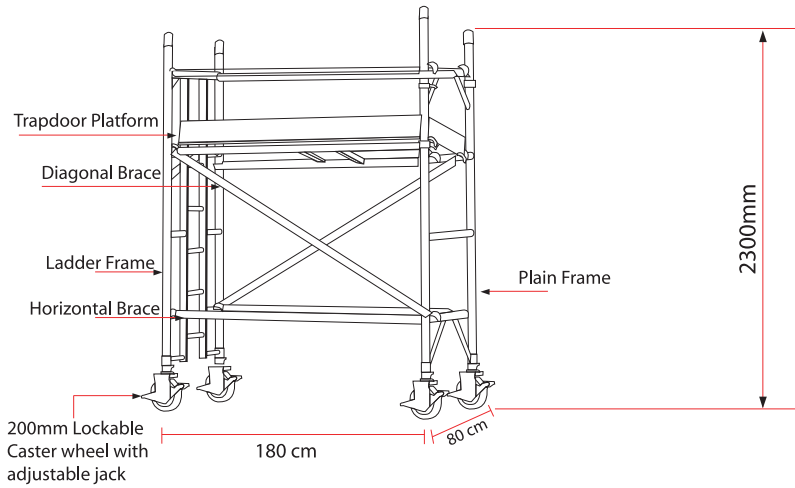
SN.	Description of goods	Qty	Weight (Kg)	CBM
	ALUMINUM LADDER FRAME MOBILE SCAFFOLDING SINGLE WIDTH 2mtr TOWER HEIGHT AS PER BRITISH STANDARD W:0.80Mtr, L:1.80Mtr, Tower Ht:2.3Mtr, Platform Ht:1.5Mtr, Reach Ht:3.3Mtr	1 Set		
1.	Aluminum Single Width 4 Rung Ladder Frames 80Wx200cmH	1	7.3	0.12
2.	Aluminum Single Width 4 Rung Span Frames 80Wx200cmH	1	7	0.12
3.	Anti Slip Working Platform Trapdoor 180x55cm	1	11.5	0.16
4.	Diagonal Braces 202cm long	2	3.6	0.016
5.	Horizontal Braces 180cm long	4	6.8	0.028
6.	Heavy duty Castor wheels with dual brakes (8")	4	21.2	0.04
7.	Adjustable jack 50 cm long	4	6	0.04
8.	Wooden toe board	1	1	0.0008
	Total	18	64.44	0.5248

ACE Aluminum Tower

Highly Versatile with variable heights and ready to erect

Single width with built in ladder

SWL = 175kg per platform / 550 kg per tower



Ladder Frame



Span Frame



Platform Door



Guard Rail

Tower Ref.	SW- 80 x 180/2
Working Height	3.3 m
Tower Height	2.3 m
Platform Height	1.3 m
Width	0.80 m
Length	1.80 m



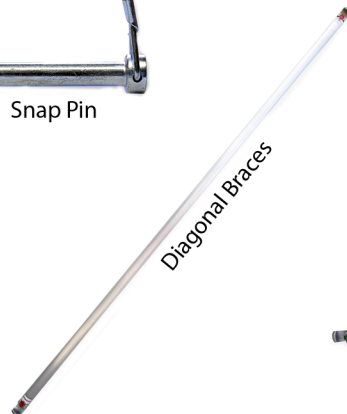
Adjustable Base Jack



Wooden Toe Board



Snap Pin



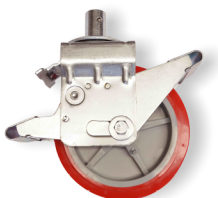
Diagonal Braces



Horizontal Braces



Stabilizer



8" Caster Wheel with Dual Brake