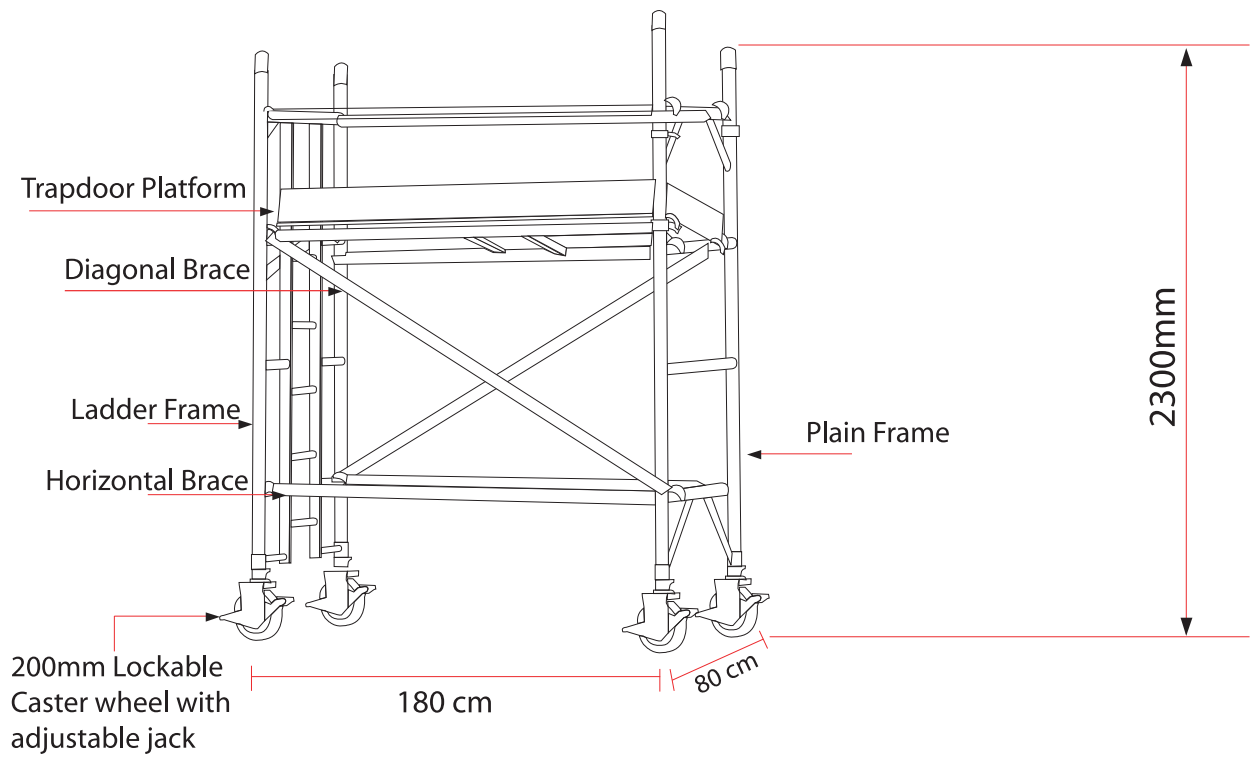


ACE Aluminum Tower

Highly Versatile with variable heights and ready to erect

Single width with built in ladder

SWL = 175kg per platform / 550 kg per tower



Tower Ref.	SW- 80 x 180/2
Working Height	3.3 m
Tower Height	2.3 m
Platform Height	1.3 m
Width	0.80 m
Length	1.80 m